

Fabrication No from  
30104-42595  
Fabrication No to

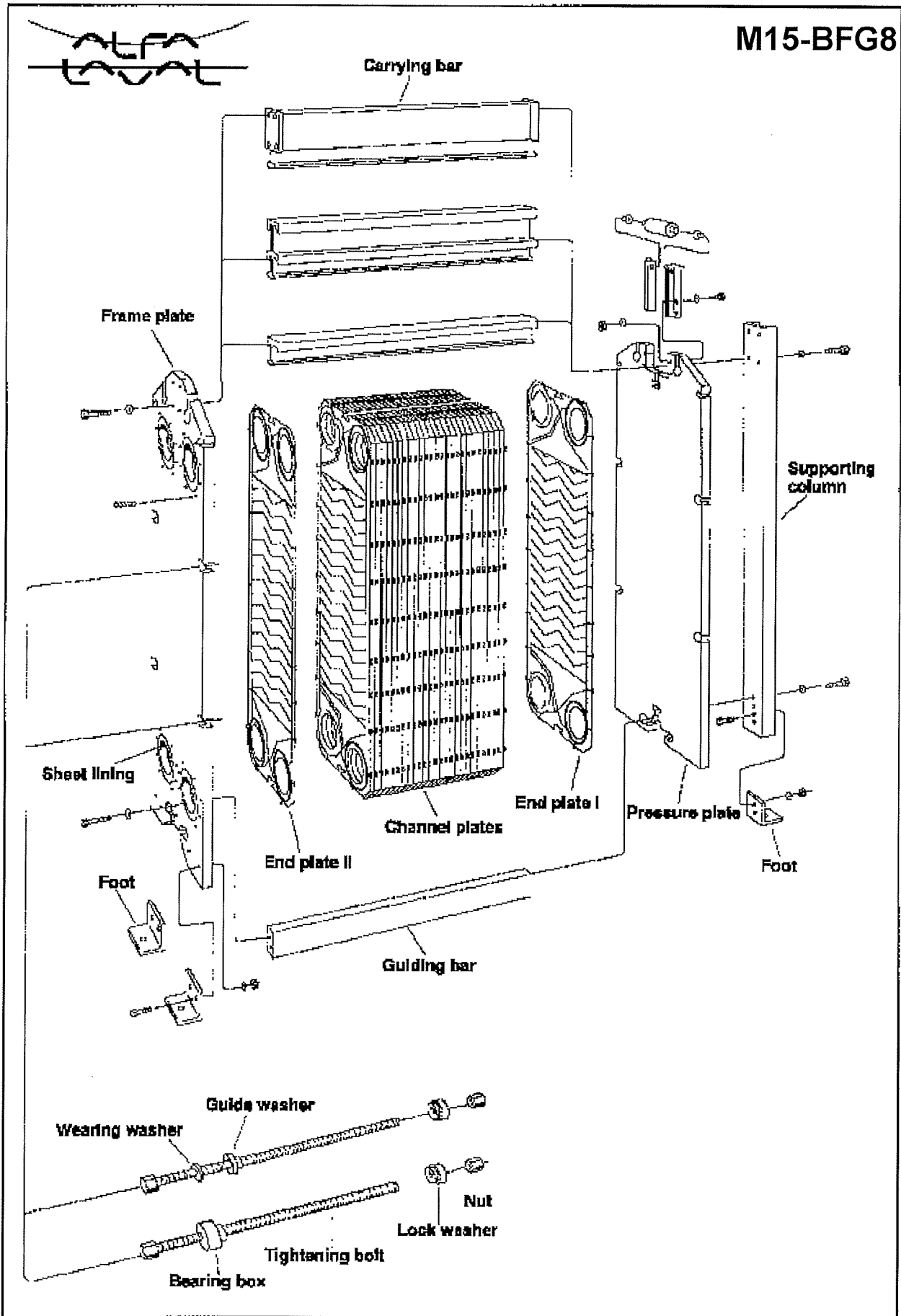
## PARTS LIST



Unit type: **M15-BFG8**

Page 1 of 2

Block	Block description	Item no	Item description	Qty
ZD01	DOCUMENTS			1
ZC03	CERTIFICATES			1
ZC02	CERTIFICATES			1
M15 FG8 CF07	CONNECTION	1620589 01	DISTANCE SHEET	4
		1625257 07	NBR.MAX.95 DEG. C	4
		1625259 01	PRESSED COLLAR	4
		32324 7327 1	DISTANCE RING	4
ZI10	INSPECTION			2
M15B FG8 FX01	FIXED ITEMS	1640140 09	MOUNT.DETAILS M15-FG8	1
		32268 0282 1	DRIVE SCREW	1
		32323 6101 1	RUNNER	1
		34500621	INSTRUCTION MANUAL	1
M15 FG8 TB05	TIGHTENING BOLT	1995 101 079	PLASTIC TUBE	10
		1995 101 082	PLASTIC TUBE	5
		32239 1143 1	LOOK WASHER	4
		32239 1145 1	WEARING WASHER	4
		32324 0006 5	TIGHTENING BOLT	4
		32324 1102 4	TIGHTENING BOLT	4
		32324 2001 1	M39,8/2H	4
		32324 2003 1	M30,8/2H	4
		32324 2301 1	BEARING BOX	4
		32324 2801 1	LOCK WASHER	4
		32324 2900 1	GUIDE WASHER	4
		M15 FG8 SC03	SUPPORTING COLUMN	1627124 01
M15 SB18	SKID BASE	BOTTEN 1	GROUND	1
M15 FG8 BA04	BARS	32323 2105 4	PROTECTING PROFILE K Ö P E S!!	2
		32323 2106 4	CARRYING BAR	1
		32323 4001 4	GUIDING BAR L=1800MM	1
		32323 6102 1	L-BAR	1
		32323 6103 1	L-BAR	1
M15 FG8 PP01	UNHOLED	1620443 01	PRESSURE PLATE	1
M15 FG8 FP01	DIN PN16	1620420 01	DIN PN16	1
		1644184 07	M20, L=90	32
M15 FG8 NP34	NAME PLATE	1639001 01	ENGLISH TEXT, SS, CE-MARK	1
		1643835 03	"ALFA LAVAL", PLASTIC	2
		66169	DRIVE SCREW	4
39501465 83	END PLATE II	371617 0098	RAW PLATE	1
39501435 03	CHANNEL PLATE	39001788 07	FIELD GASKET	2
		371617 4098	RAW PLATE	134
39501434 03	CHANNEL PLATE	39001788 07	FIELD GASKET	134
		371517 4098	RAW PLATE	134
39501465 76	END PLATE I	39001788 07	FIELD GASKET	134
		371617 0097	RAW PLATE	1
		39001788 07	FIELD GASKET	1



**Alfa Laval, Plate Heat Exchanger  
Channel Plate Installation Description**

2004-01-27

Customer: SU Order No: T536393-10  
 Model : M15-BFG8 Serial No: 30104-42595  
 Customer PO: HDB031119-001

Plate material and Thickness: AISI 316 0.50 mm

A Dimension: 810.2 mm

	<b>Hot side</b>	<b>Cold side</b>
Grouping:	1*135MH	1*134ML
Sealing material:	NBRB CLIP-ON	NBRB CLIP-ON
Port Locations:	S1 -> S2	S3 -> S4

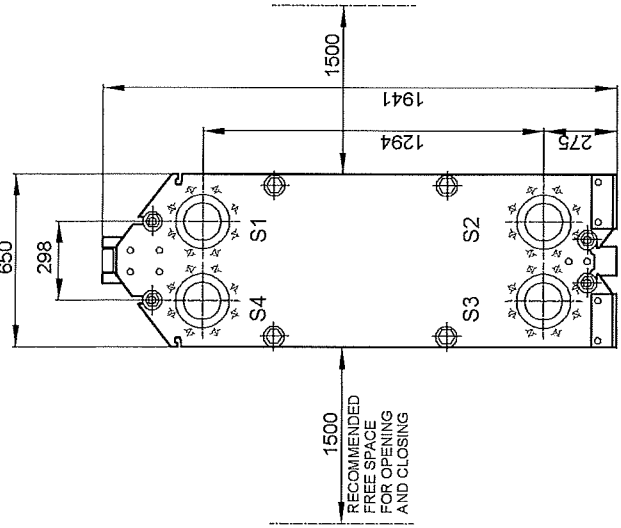
Connection material: Rubber NBR Rubber NBR

Plate no.	Plate code no.	Punched corner of the plate				Flow direction on the gasket side of the plate
		upper left	lower left	lower right	upper right	
		S1	S2	S3	S4	
	FRAME PLATE	=>=	=<=	=<=	=>=	
1	39501465 83 A	O	O	O	O	
2	39501435 03 B	U --->--	U	O	O	Down
3	39501434 03 A	O	O	U --->--	U	Up
4	39501435 03 B	U --->--	U	O	O	Down
5	39501434 03 A	O	O	U --->--	U	Up
6,	8, .... , 264	39501435 03B				
7,	9, .... , 265	39501434 03A				
266	39501435 03 B	U --->--	U	O	O	Down
267	39501434 03 A	O	O	U --->--	U	Up
268	39501435 03 B	U --->--	U	O	O	Down
269	39501434 03 A	O	O	U --->--	U	Up
270	39501465 76 B	--->--				Down
	PRESSURE PLATE					
		T1	T2	T3	T4	

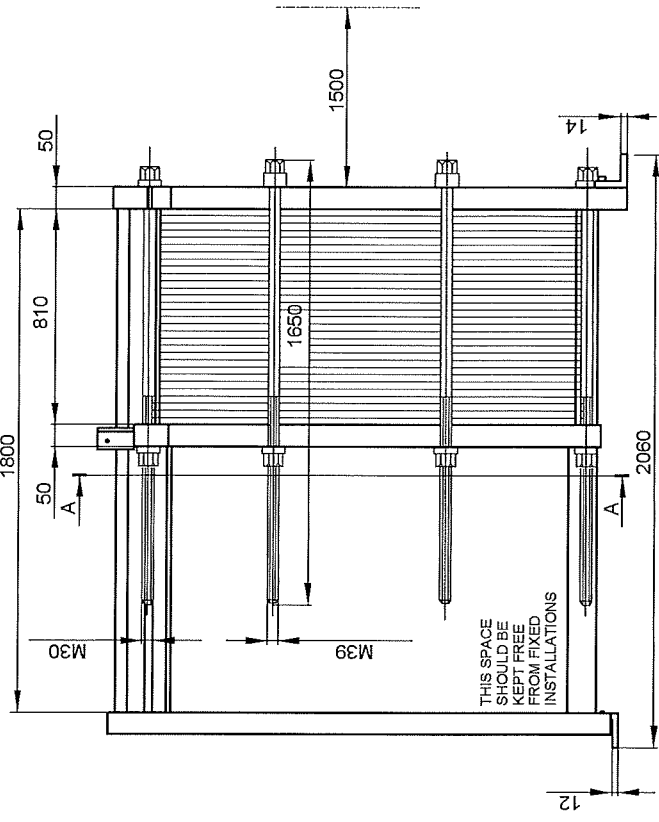
Article No:	Quantity:
39501465 83	1
39501435 03	134
39501434 03	134
39501465 76	1

10467 N FOUNDATION LOADS 17564 N V

FRAME PLATE (FIXED)

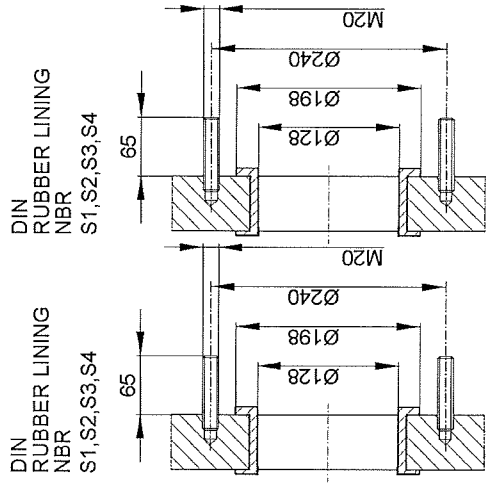
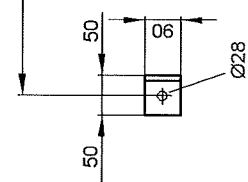
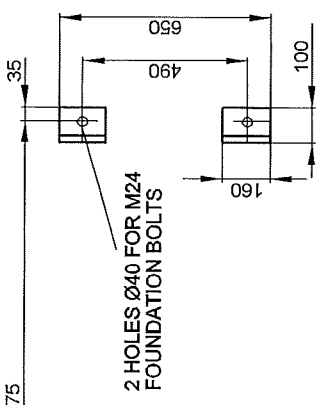


PRESSURE PLATE (MOVABLE) SECTION A-A



REMARKS:  
CONNECTION T1-T4 ONLY IF SPECIFIED AS INLET OR OUTLET

REMARKS:	SIDE1	SIDE2	GASKET	NBRB CLIP-ON
TEST PRESSURE	14,3 bar	14,3 bar	PLATE MATERIAL	AISI 316
DESIGN PRESSURE	10 bar	10 bar	PLATE THICKNESS	0.50 mm
MIN DESIGN PRESS	0 bar	0 bar	HEATING SURFACE	166,2 m <sup>2</sup>
MAX TEMPERATURE	40 °C	40 °C	PLATE GROUPING	1*135MH/1*134ML
MIN TEMPERATURE	-5 °C	-5 °C	OPERATING WEIGHT	2277 kg
NETWEIGHT	1851 kg			



TOTAL LENGTH 2060  
TOTAL WIDTH 650  
TOTAL HEIGHT 1885

SIDE	MEDIA	F.D.G.	INLET	TEMP.	OUTLET	TEMP.	FLOW RATE	PRESSURE DROP	LIQUID VOL.
1	Water	2	S1	17.0 °C	S2	14.5 °C	226.9 m <sup>3</sup> /h	46.08 kPa	210,8 l
2	30.0% Eth.glycol	1	S3	13.1 °C	S4	16.0 °C	210.7 m <sup>3</sup> /h	42.48 kPa	209,2 l

SUPPLIER OM SE	REF. T536393-10	MP NO.
AGENT/REF. Alfa Laval Belgium / 1033595/2033204		
CUSTOMER NAME / REF. NO. GOSSEYE NV / HDB031119-001		
SIGN. AUTO		RISK CATEGORY 1

PLATE HEAT EXCHANGER

# M15-BFG8

PED

SERIALNO 30104-42595	
DATE 2004-01-27	REV No. 1